

TECHNICAL DATA

A little actuator able to solve big problems. The constructive principle, together with innovating materials permit to warrant higher performance such as:

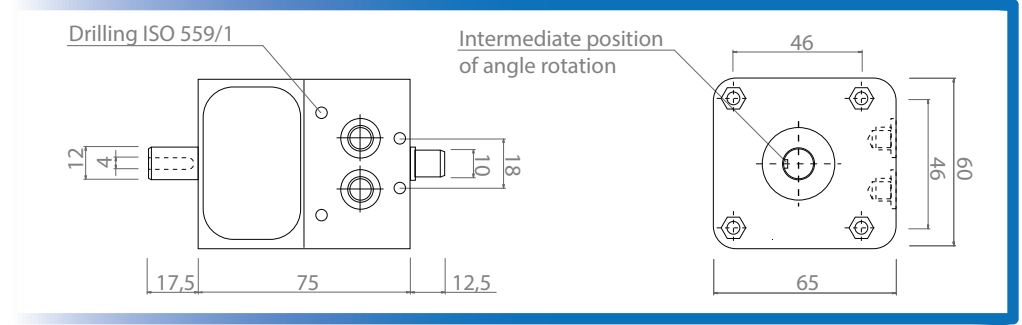
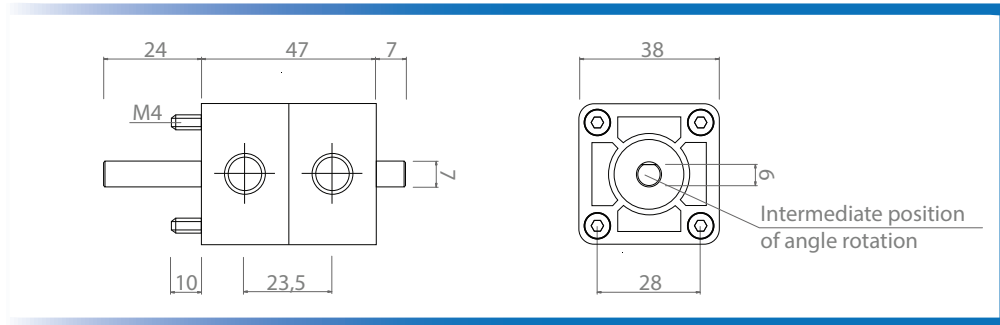
- high frequencies running
- precise actuation
- constant torque all the actuation long
- high accelerations
- plenty of strokes

MODEL 5.0

Rotation angle : 90°
 Operation pressure : min 0,8 bar / max 8,0 bar
 Fluids : compressed air; liquids (water, solutions or emulsions)
 Materials : body - strengthened plastic material
 shaft - stainless steel
 gasket - elastomer
 Net Weight : 100 gr
 Fitting positions : everyone
 Temperatures : from -10°C to 60° C
 Maximum loads : radial 80 N
 axial 5 N
 Maximum frequency : 3 stroke/second
 Displacement : 9 cc/angle

MODELS 5.1 - 14.1

Rotation angle : 90° (mod. 5.1) - 270° (mod. 14.1)
 Operation pressure : min 0,8 bar / max 20 bar
 Fluids : compressed air; liquids (water, solutions or emulsions)
 Materials : body - alluminium
 shaft - stainless steel
 gasket - elastomer
 Net Weight : 700 gr
 Fitting positions : everyone
 Temperatures : da -10°C a 60° C
 Maximum loads : radial 210 N
 axial 80 N
 Maximum frequency : 2 stroke/second (mod. 5.1) - 1 stroke/second (mod. 14.1)
 Displacement : 38 cc/angle (mod. 5.1)



TORQUE

ANG	MOD.	COUPLE IN Nm :											
		2 Bar	3 Bar	4 Bar	5 Bar	6 Bar	8 Bar	10 Bar	12 Bar	14 Bar	16 Bar	18 Bar	20 Bar
90°	5.0	1,1	1,7	2,3	2,8	3,4	4,5	-	-	-	-	-	-
	5.1	4	6	8	11	13	17	22	26	30	35	39	44
270°	14.1	2	3	4	5,4	6,5	8,5	11	13	15	17,5	18,5	22